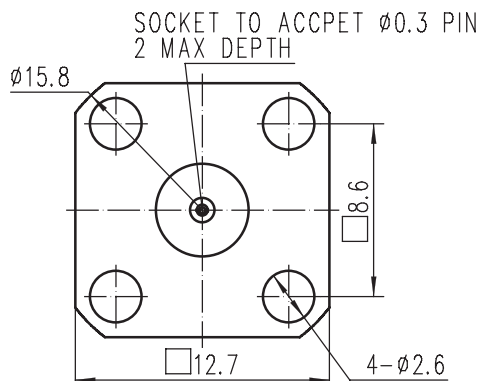
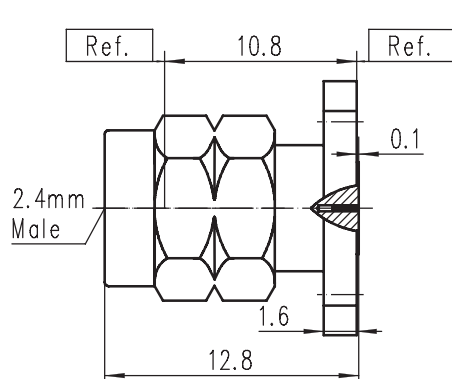


# CONNECTOR

## 2.4mm Male

# 2.4mm-JFD1G



Code: 240503

### Electrical data

Impedance	50 Ω
Frequency	DC to 50 GHz
Return loss	≥ 20 dB, DC to 50 GHz
Insertion loss	≤ 0.05 × √f(GHz) dB
Insulation resistance	≥ 5 GΩ
Center contact resistance	≤ 4.0 mΩ
Outer contact resistance	≤ 2.5 mΩ
Test voltage	500 V rms
Working voltage	150 V rms
RF-leakage	≥ 100 dB up to 1 GHz

### Mechanical data

Mating cycles	≥ 500
Coupling nut retention	≥ 20 N
Coupling test torque	1.65 Nm
Recommended torque	0.80 Nm to 1.10 Nm

### Material and plating

#### Connector parts

Center contact  
Outer contact  
Coupling nut  
Dielectric

#### Material

Beryllium copper  
Stainless steel  
Stainless steel  
PEI

#### Plating

Gold, over chemical nickel  
Passivated  
Passivated

### Environmental data

Temperature range	-65°C to +165°C
Thermal shock	IEC 61169-1, Subclause 9.4.4
Corrosion	IEC 61169-1, Subclause 9.4.6
Vibration	IEC 61169-1, Subclause 9.3.3
Shock	IEC 61169-1, Subclause 9.3.14
Moisture resistance	IEC 61169-1, Subclause 9.4.3
2002/95/EC (RoHS)	compliant

Shanghai Tuyue electronics Co. Ltd.

Tel.: +86 21 64753655 Fax: +86 21 61257270  
Email: info@tuyue.com.cn Website: www.tuyue.com.cn

Page

1 / 1