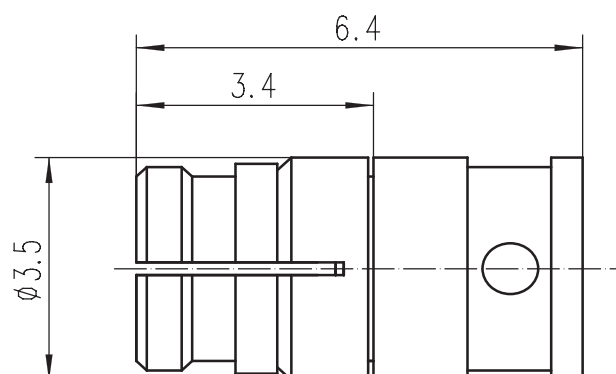


# CONNECTOR SMP Female

## SMP-K506



### Electrical data

Impedance	50 $\Omega$
Frequency	DC to 26.5 GHz
VSWR	$\leq 1.35$ , DC to 26.5 GHz
Insertion loss	$\leq 0.1 \times \sqrt{f(\text{GHz})}$ dB, DC to 26.5 GHz
Insulation resistance	$\geq 5 \text{ G}\Omega$
Center contact resistance	$\leq 6.0 \text{ m}\Omega$
Outer contact resistance	$\leq 2.0 \text{ m}\Omega$
Test voltage	500 V rms
Working voltage	335 V rms
Contact Current	1.2A DC max.

### Mechanical data

Mating cycles	
if mating part is smooth bore	$\geq 1000$
if mating part is limited detent	$\geq 500$
if mating part is full detent	$\geq 100$
Center contact captivation	$\geq 7 \text{ N}$
Engagement force	
- smooth bore	9 N max.
- limited detent	45 N max.
- full detent	68 N max.
Disengagement force	
- smooth bore	2.2 N min.
- limited detent	9 N min.
- full detent	22 N min.

### Material and plating

Connector parts	Material	Plating
Center contact	CuBe	AuroDur®, gold plated
Outer contact	CuBe	AuroDur®, gold plated
Dielectric	PTFE	

### Environmental data

Temperature range	-65°C to +165°C
Thermal shock	MIL-STD-202, Method 107, Condition B
Vibration	MIL-STD-202, Method 204, Condition B
Shock	MIL-STD-202, Method 213, Condition A
Moisture resistance	MIL-STD-202, Method 106
2002/95/EC (RoHS)	compliant