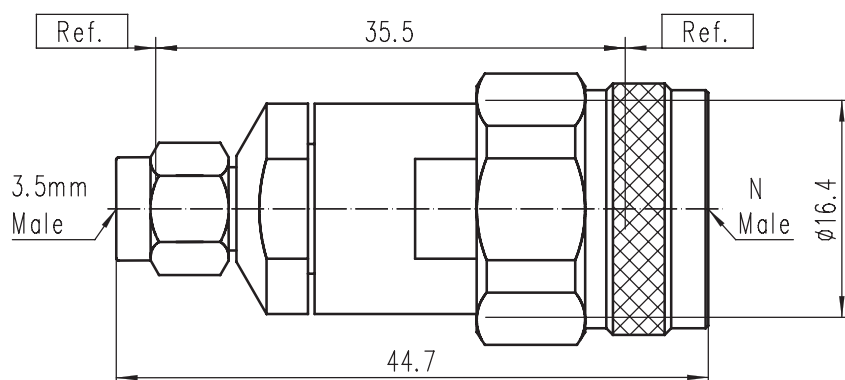


CALIBRATION ADAPTOR

3.5mm Male – N Male

N/3.5mm-JJG08



Code : 100206

Electrical data

Impedance	50 Ω	
Frequency	DC to 18 GHz	
VSWR	≤ 1.08, DC-18GHz	
Insertion loss	≤ 0.08 × √f(GHz) dB	
Insulation resistance	≥ 5G Ω	
Center contact resistance	≤ 3 mΩ, 3.5mm side	≤ 1 mΩ
Outer contact resistance	≤ 2 mΩ, 3.5mm side	≤ 1 mΩ, N side
Test voltage	1000 V rms	, N side
Working voltage	480 V rms	
RF leakage	≥ 90 dB up to 1GHz	

Mechanical data

Mating cycles	≥ 500
Center contact captivation	≥ 28 N
Coupling test torque 3.5mm	1.70 Nm
Recommended torque 3.5mm	0.80 Nm to 1.10 Nm
Coupling test torque N	1.70 Nm
Recommended torque N	0.70 Nm to 1.10 Nm

Material and plating

Connector parts	Material	Plating
Center contact	Beryllium copper	Gold, over chemical nickel
Outer contact	Stainless steel	Passivated
Coupling nut	Stainless steel	Passivated
Dielectric	PEI	

Environmental data

Operating Temperature	0°C to +50°C
Storage Temperature	-40°C to +85°C
Thermal shock	MIL-STD-202, Method 107, Condition B
Corrosion	MIL-STD-202, Method 101, Condition B
Vibration	MIL-STD-202, Method 204, Condition D
Shock	MIL-STD-202, Method 213, Condition I
Moisture resistance	MIL-STD-202, Method 106
2002/95/EC (RoHS)	compliant