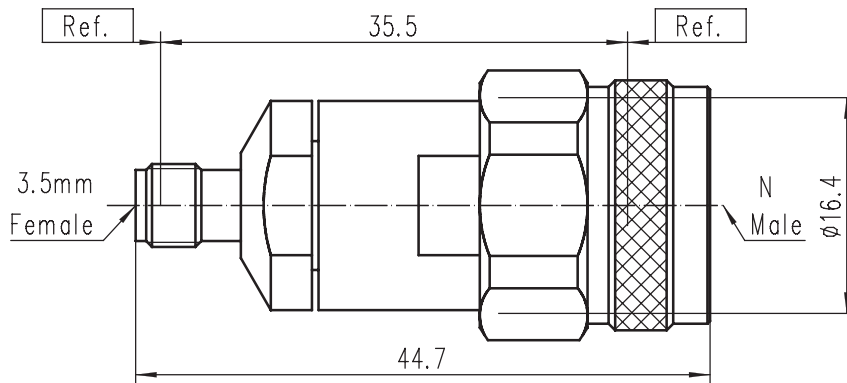


CALIBRATION ADAPTOR

3.5mm Female – N Male

N/3.5mm-JKG08



Code: 100207

Electrical data

Impedance	50 Ω	
Frequency	DC to 18 GHz	
VSWR	≤ 1.08 , DC-18GHz	
Insertion loss	$\leq 0.08 \times \sqrt{f(\text{GHz})}$ dB	
Insulation resistance	$\geq 5\text{G } \Omega$	
Center contact resistance	$\leq 3 \text{ m}\Omega$, 3.5mm side	$\leq 1 \text{ m}\Omega$, N side
Outer contact resistance	$\leq 2 \text{ m}\Omega$, 3.5mm side	$\leq 1 \text{ m}\Omega$, N side
Test voltage	1000 V rms	
Working voltage	480 V rms	
RF leakage	$\geq 90 \text{ dB}$ up to 1GHz	

Mechanical data

Mating cycles	≥ 500
Center contact captivation	$\geq 28 \text{ N}$
Coupling test torque 3.5mm	1.70 Nm
Recommended torque 3.5mm	0.80 Nm to 1.10 Nm
Coupling test torque N	1.70 Nm
Recommended torque N	0.70 Nm to 1.10 Nm

Material and plating

Connector parts

Center contact
Outer contact
Coupling nut
Dielectric

Material

Beryllium copper
Stainless steel
Stainless steel
PEI

Plating

Gold, over chemical nickel
Passivated
Passivated

Environmental data

Operating Temperature	0°C to +50°C
Storage Temperature	-40°C to +85°C
Thermal shock	MIL-STD-202, Method 107, Condition B
Corrosion	MIL-STD-202, Method 101, Condition B
Vibration	MIL-STD-202, Method 204, Condition D
Shock	MIL-STD-202, Method 213, Condition I
Moisture resistance	MIL-STD-202, Method 106
2002/95/EC (RoHS)	compliant