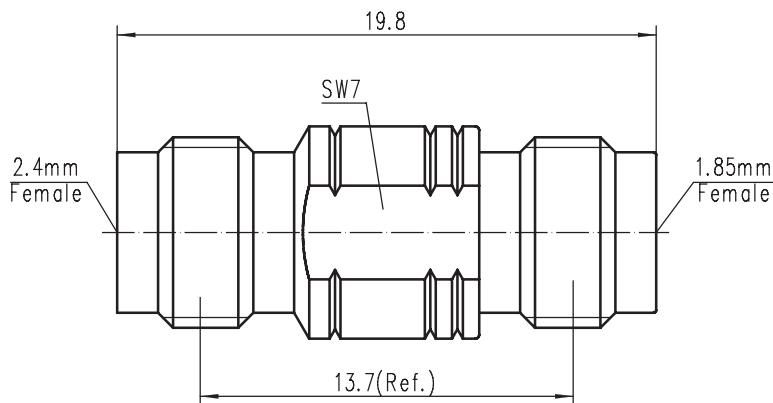


# ADAPTOR

## 2.4mm Female – 1.85mm Female

## 2.4mm/1.85mm-KKG



Code: 100107

### Electrical data

Impedance	50 Ω	
Frequency	DC to 50 GHz	
Return loss	≥ 19 dB, DC to 50 GHz	
Insertion loss	≤ 0.05 × √f(GHz) dB	
Insulation resistance	≥ 5G Ω	
Center contact resistance	≤ 4.0 mΩ , 2.4 side	≤ 6.0 mΩ, 1.85 side
Outer contact resistance	≤ 2.5mΩ , 2.4 side	≤ 2.0 mΩ , 1.85 side
Test voltage	500 V rms	
Working voltage	150 V rms	
RF leakage	≥ 100 dB up to 1 GHz	

### Mechanical data

Mating cycles	≥ 500
Center contact captivation	≥ 20N
Coupling test torque	1.65 Nm
Recommended torque	0.80 Nm to 1.10 Nm

### Material and plating

#### Connector parts

Center contact  
Outer contact  
Dielectric

#### Material

Beryllium copper  
Stainless steel  
PEI

#### Plating

Gold, over chemical nickel  
Passivated

### Environmental data

Temperature range	-60°C to +125°C
Thermal shock	IEC 61169-1, Subclause 9.4.4
Corrosion	IEC 61169-1, Subclause 9.4.6
Vibration	IEC 61169-1, Subclause 9.3.3
Shock	IEC 61169-1, Subclause 9.3.14
Moisture resistance	IEC 61169-1, Subclause 9.4.3
2002/95/EC (RoHS)	compliant