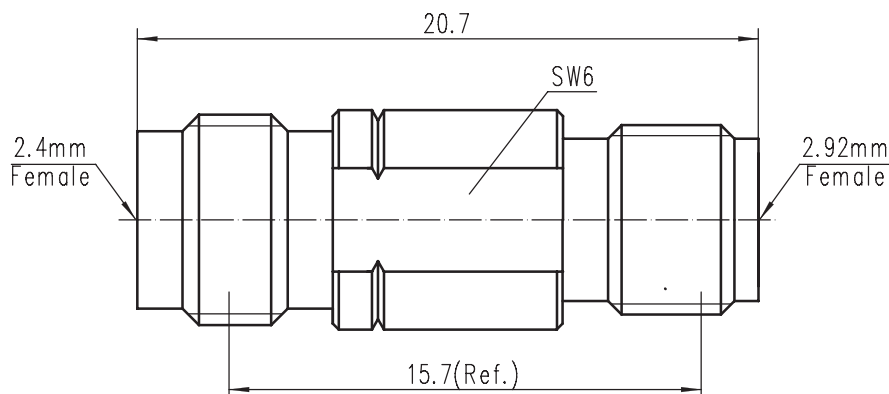


PRECISION ADAPTOR

2.4mm Female – 2.92mm Female

2.92mm/2.4mm-KKG12



Electrical data

Impedance	50 Ω	
Frequency	DC to 40 GHz	
VSWR	≤ 1.12, DC to 40 GHz	
Insertion loss	≤ 0.05 × √f(GHz) dB	
Insulation resistance	≥ 5G Ω	
Center contact resistance	≤ 3.0 mΩ , 2.92 side	≤ 4.0 mΩ , 2.4 side
Outer contact resistance	≤ 2.0 mΩ , 2.92 side	≤ 2.5 mΩ , 2.4 side
Test voltage	500 V rms	
Working voltage	150 V rms	
RF leakage	≥ 100 dB up to 1 GHz	

Mechanical data

Mating cycles	≥ 500
Center contact captivation	≥ 22 N
Coupling test torque 2.92	1.70 Nm
Recommended torque 2.92	0.80 Nm to 1.10 Nm
Coupling test torque 2.4	1.65Nm
Recommended torque 2.4	0.80 Nm to 1.10 Nm

Material and plating

Connector parts

Center contact
Outer contact
Dielectric

Material

Beryllium copper
Stainless steel
PEI

Plating

Gold, over chemical nickel
Passivated

Environmental data

Temperature range	-40°C to +85°C
Thermal shock	MIL-STD-202, Method 107, Condition B
Corrosion	MIL-STD-202, Method 101, Condition B
Vibration	MIL-STD-202, Method 204, Condition D
Shock	MIL-STD-202, Method 213, Condition I
Moisture resistance	MIL-STD-202, Method 106
2002/95/EC (RoHS)	compliant