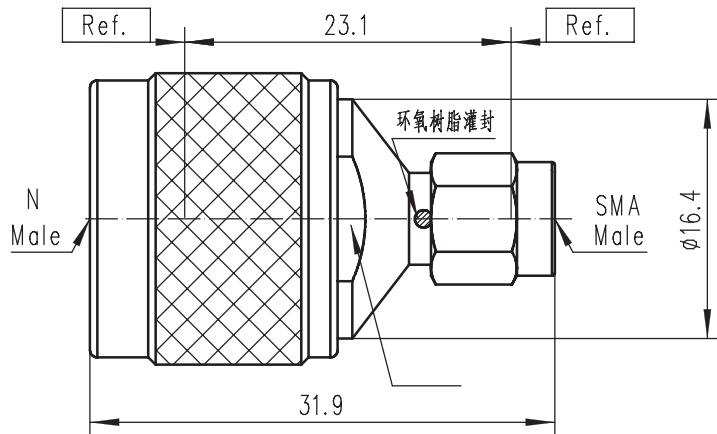


ADAPTOR N Male – SMA Male

N/SMA-JJ



Code: 100139

Electrical data

Impedance	50 Ω	
Frequency	DC to 11 GHz	
VSWR	≤1.25	
Insertion loss	≤0.05x $\sqrt{f(\text{GHz})}$ dB	
Insulation resistance	≥ 5 x10 ³ MΩ	
Center contact resistance	≤ 3 mΩ, SMA side	≤ 1 mΩ, N side
Outer contact resistance	≤ 2 mΩ, SMA side	≤ 0.25 mΩ, N side
Test voltage	1000 V rms	
Working voltage	480 V rms	
Power handling(at 20 °C, sea level, VSWR 1.0)	≤200 W @ 2 GHz	

Mechanical data

Mating cycles	N side min. 500	SMA side min. 500
Coupling nut retention	≥ 450 N	N/A
Center contact captivation: axial	≥ 28 N	≥ 28 N
Coupling test torque	max.1.7 Nm	max.1.7 Nm
Recommended torque	0.7 Nm to 1.1 Nm	0.8 Nm to 1.1 Nm

Material and plating

Connector parts

Center contact
Outer contact N side
Outer contact SMA side
Dielectric

Material

CuBe
Brass
Brass
PTFE

Plating

Gold plated
Nickel
Gold plated

Environmental data

Temperature range	-60°C to+165°C
Thermal shock	MIL-STD-202,Method 107, Condition B
Corrosion	MIL-STD-202,Method 101, Condition B
Vibration	MIL-STD-202,Method 204, Condition D
Shock	MIL-STD-202,Method 213, Condition I
Moisture resistance	MIL-STD-202,Method 106
2002/95/EC (RoHS)	compliant

Shanghai Tuyue electronics Co. Ltd.

Tel.: +86 21 64753655 Fax: +86 21 61257270

Email: info@tuyue.com.cn Website:www.tuyue.com.cn