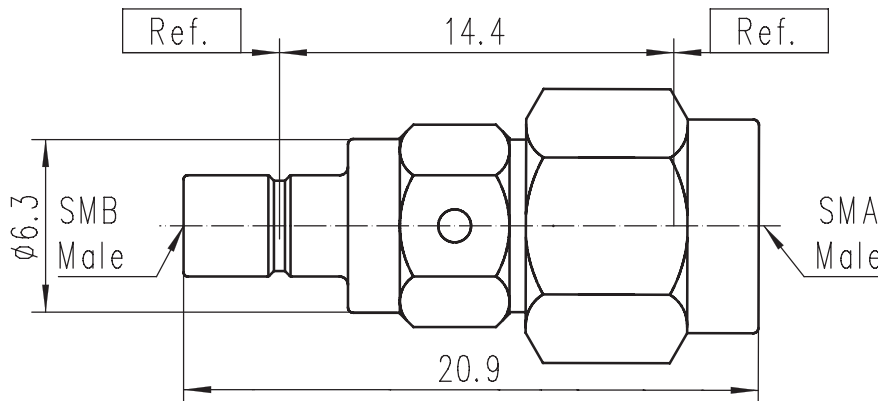


ADAPTOR SMB Male – SMA Male

SMA/SMB-JJ



Code: 100050

Electrical data

Impedance	50 Ω
Frequency	DC to 4GHz
VSWR	≤ 1.20, DC to 4 GHz
Insertion loss	≤ 0.05 x √f(GHz) dB
Insulation resistance	≥ 1 GΩ
Center contact resistance	≤ 5.0 mΩ
Outer contact resistance	≤ 2.5 mΩ
Test voltage	750V rms
Working voltage	250 V rms
RF leakage	≥ 55 dB up to 1GHz

Mechanical data

Mating cycles	SMB side min. 500	SMA side min. 500
Coupling nut retention	N/A	≥ 27N
Center contact captivation: axial	≥ 10N	≥ 10N
Coupling test torque	N/A	Max. 1.7 Nm
Recommended torque	N/A	0.8 to 1.1 Nm
Engagement force	≤ 63N	N/A
Disengagement force	8N min.; 63N max.	N/A

Material and plating

Connector parts	Material	Plating
Center contact	Beryllium copper	Gold, over chemical nickel
Outer contact	Brass	Gold, over chemical nickel
Coupling nut	Brass	Gold, over chemical nickel
Dielectric	PTFE	

Environmental data

Temperature range	-55°C to +155°C
Thermal shock	MIL-STD-202, Method 107, Condition B
Corrosion	MIL-STD-202, Method 101, Condition B
Vibration	MIL-STD-202, Method 204, Condition D
Moisture resistance	MIL-STD-202, Method 106
2002/95/EC (RoHS)	compliant