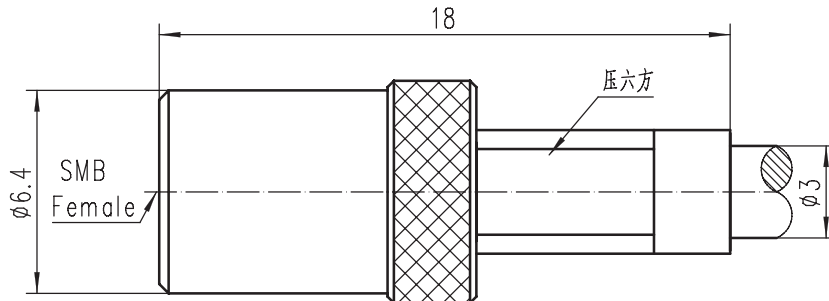


CONNECTOR

SMB-Female With RG316 Cable

SMB-K3



Code: 280002

Electrical data

Impedance	50 Ω
Frequency	DC to 4 GHz
Return loss	≥ 25 dB, DC to 1 GHz ≥ 22 dB, 1 to 3 GHz ≥ 20 dB, 3 to 4 GHz
Insertion loss	≤ 0.1 × √f(GHz) dB
Insulation resistance	≥ 1×10 ³ MΩ
Center contact resistance	≤ 5 mΩ
Outer contact resistance	≤ 2.5 mΩ
Test voltage	750 V rms, 50 Hz, at sea level
Working voltage	≤ 250 V rms, 50 Hz, at sea level
Contact current	1.5 A DC typ.

Mechanical data

Mating cycles	min. 500
Center contact captivation	≥ 10 N
Engagement force	≤ 63 N
Disengagement force	8 N min. to 63 N max.

Material and plating

Connector parts	Material	Plating
Center contact	CuBe	Gold
Outer contact	Brass	Gold
Body	Brass	
Dielectric	PTFE	
Crimping ferrule	Copper	Ni

Environmental data

Temperature range	-55°C to +155°C
Thermal shock	MIL-STD-202, Meth. 107, Cond. B
Vibration	MIL-STD-202, Meth. 204, Cond. B
Corrosion	MIL-STD-202, Meth. 101, Cond. B
Moisture resistance	MIL-STD-202, Meth. 106
2002/95/EC (RoHS)	compliant

Shanghai Tuyue electronics Co. Ltd.

Tel.: +86 21 64753655 Fax: +86 21 61257270
Email: info@tuyue.com.cn Website: www.tuyue.com.cn