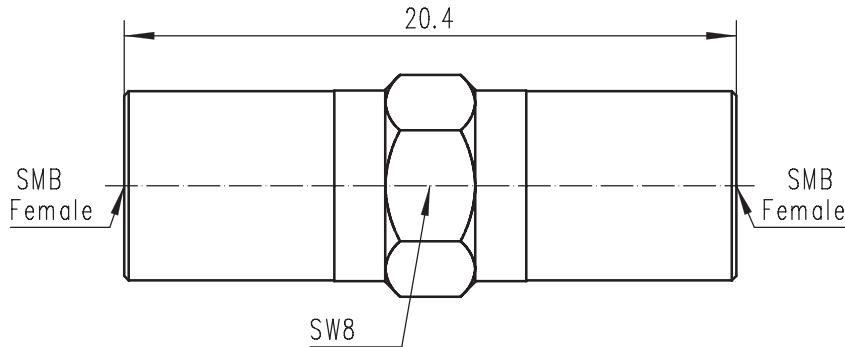


ADAPTOR SMB Female – SMB Female

SMB-KK



Code: 100126

Electrical data

Impedance	50Ω
Frequency	DC to 4 GHz
Return loss	≥ 29 dB, DC to 1 GHz ≥ 23 dB, 1 to 4 GHz
Insertion loss	≤ 0.1 dB
Insulation resistance	≥ 1 x10 ³ MΩ
Center contact resistance	≤5 mΩ
Outer contact resistance	≤ 2.5 mΩ
Test voltage	750 V rms, 50 Hz, at sea level
Working voltage	250 V rms, 50 Hz, at sea level
RF-leakage	≥ 55 dB up to 1 GHz

Mechanical data

Mating cycles	≥500
Center contact captivation: axial	≥ 10 N
Engagement force	≤ 63 N
Disengagement force	8 N min. to 63 N max.

Material and plating

Connector parts	Material	Plating
Center contact	CuBe	Gold
Outer contact	Brass	Gold
Dielectric	PTFE	

Environmental data

Temperature range	-55°C to +155°C
Thermal shock	MIL-STD-202, Method 107, Condition B
Corrosion	MIL-STD-202, Method 101, Condition B
Vibration	MIL-STD-202, Method 204, Condition D
Moisture resistance	MIL-STD-202, Method 106
2002/95/EC(RoHS)	compliant

Shanghai Tuyue electronics Co. Ltd.

Tel.: +86 21 64753655 Fax: +86 21 61257270
Email: info@tuyue.com.cn Website: www.tuyue.com.cn

Page
1 / 1