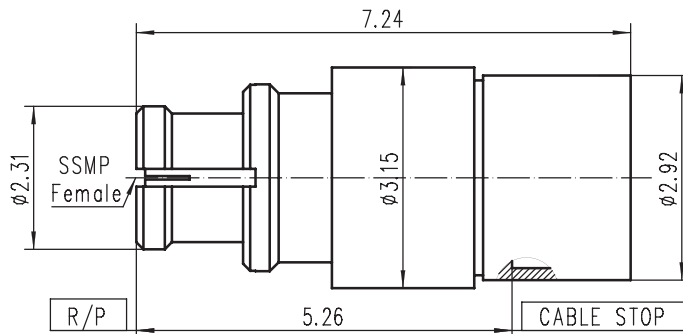


CONNECTOR

SSMP-Female With 086 Cable

SSMP-KB2



Code: 270502

Electrical data

Impedance	50 Ω
Frequency	DC to 65 GHz
Return loss	≥ 25 dB, DC to 18 GHz ≥ 18 dB, 18 to 40 GHz
Insertion loss	≤ 0.1 × √f(GHz) dB
Insulation resistance	≥ 5 GΩ
Center contact resistance	≤ 6.0 mΩ
Outer contact resistance	≤ 2.0 mΩ
Test voltage	500 V rms
Working voltage	335 V rms

Mechanical data

Mating cycles	
if mating part is smooth bore	≥ 500
if mating part is full detent	≥ 100
Center contact captivation	≥ 7 N
Engagement force	
- smooth bore	11 N max.
- full detent	19 N max.
Disengagement force	
- smooth bore	11 N max.
- full detent	29 N max.

Material and plating

Connector parts	Material	Plating
Center contact	CuBe	Gold
Outer contact	CuBe	Gold
Dielectric	PTFE/PEI	

Environmental data

Temperature range	-55°C to +155°C
Thermal shock	MIL-STD-202, Method 107, Condition B
Vibration	MIL-STD-202, Method 204, Condition A
Shock	MIL-STD-202, Method 213, Condition A
Moisture resistance	MIL-STD-202, Method 106
Climatic Category	IEC 60068 55/155/21
2002/95/EC (RoHS)	compliant

Shanghai Tuyue electronics Co. Ltd.

Tel.: +86 21 64753655 Fax: +86 21 61257270

Email: info@tuyue.com.cn Website: www.tuyue.com.cn